

Affordable and Easy-to-use

- TI TITAN chipset and TI voice engine
- 2 programmable keys, Auto provision
- 1xLAN, 1xdual-color LED, Phone label
- Power over Ethernet, Wall-mountable



The SIP-T18P is the simply IP phone that equipped with TI TITAN chipset, comprehensive telephony features, PoE, auto provision, and interoperable with the leading IP-PBX and soft switch. It is economical and can be desktop or wall mounted.

Designed for working environment needing a basic feature IP phone, the SIP-T18P is a very cost-effective choice for small business, SOHO and Hotel, college apartment, supermarket, and warehouse etc.

Phone Features

1 VoIP account, Hotline
Call waiting, Call transfer, Call forward
Call hold, Mute, Redial, DND
3-way conferencing, Speed dial
Direct IP call without SIP proxy
Volume control, Ringtone selection
Tone scheme, System log export
Integrated Voice Response System

IP PBX System Integration

Music on hold
Call park, Call pickup
Dial plan, Dial now
Voicemail
Message Waiting Indication (MWI)
Distinctive ringtone

Voice Features

Wideband codec: G.722
Narrowband codec: G.711μ/A, G.726,
G.729AB, G.723.1
VAD, CNG, PLC, AJB, AGC

Network Features

SIP v1 (RFC2543), v2 (RFC3261)
NAT Traversal: STUN mode
DTMF: In-band, out-of band (RFC2833) and SIP INFO
Proxy mode and peer-to-peer SIP link mode
IP Assignment: Static/DHCP
TFTP/DHCP client
Telnet/HTTP server
DNS client

Management

Built-in HTTP web server
Configuration: browser/phone/auto-provision/IVR
Auto provision via TFTP/FTP/HTTP/PnP
Auto provision for firmware, configuration, ringtone etc

Security

QoS: IEEE 802.1p/q tagging (VLAN), Layer 3ToS
Digest authentication using MD5/MD5-sess
Secure configuration file via AES encryption
Admin/user configuration mode

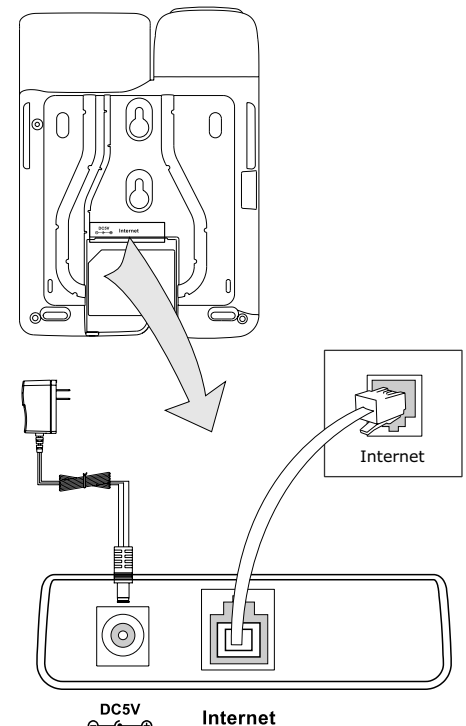
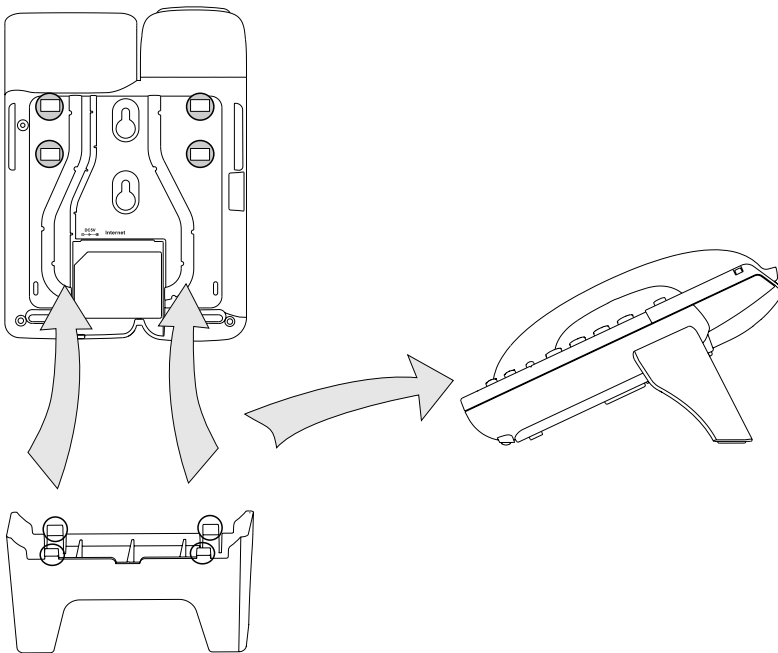
Physical Features

TI TITAN chipset
20 keys including 2 programmable keys
4 feature keys (Transfer/Hold/Mute/Redial)
Phone label
1xdual-color LED
1xRJ45 10/100M Ethernet port
Desktop with footstand (detachable),
Wall-mountable
Power adapter: AC 100~240V input
and DC 5V/1.2A Output
Power over Ethernet
(IEEE 802.3af class 1) optional
Operating humidity: 10~95%
Storage temperature: up to 60°C

Package Features

Qty/CTN: 10 PCS
N.W/CTN: xx KG
G.W/CTN: xx KG
Measurement: 0.054CMB
Carton Meas: 520x470x220MM

Certifications



902 48 50 70
info@innovamer.com
Islas Canarias

www.innovamercomunicaciones.com

Addr: 4th-5th Floor, South Building, No. 63 Wang Hai Road,
2nd Software Park, Xiamen, China Website: www.yealink.com
Tel: +86-592-5702000 Email: sales@yealink.com