

Language Settings

The default language of the IP phone is English. It supports several kinds of languages, users can choose a prefer one to use. Set the language as:

Press MENU->Settings->Basic->Language to enter the language list.

Configuring via Web Page

Press **OK** button on the keypad of the phone to enter the Status page and find the IP address of the IP phone. Enter it (for example <http://192.168.3.35>) into the address bar of web browser.

The default login name and password are **admin/admin**.

Note: Please locate your PC in the same network segment of the IP phone(192.168.3.X) to access the web configuration page. Please consult your network administrator or service provider for help.

Network Settings: Choose Network->Internet Port (WAN)

DHCP: By default the phone attempts to contact to a DHCP Server in your network in order to obtain its valid network settings, e.g. IP address, sub mask, gateway, DNS server, etc.

Static IP Address: If your phone cannot contact a DHCP Server for any reason, you need to enter the network settings manually via Static IP Address. Please contact your internet administrator for more details.

PPPoE: If you are using the xDSL Modem, you can connect your phone to the internet via PPPoE mode. Please contact your ISP for the **User Name** and **Password** for internet access.

Note: Using the wrong network parameters may result in inaccessibility of your phone and may also have an impact on your network performance! Please contact your network administrator!

Account Setting: Press Accounts->Account X

Parameter:

Register Status:	Shows the register status of the IP phone.
Account Active:	You can choose on/off to enable/disable the account respectively.
Label:	Shown on the LCD for users to identify the account.
Display Name:	Shown as Caller ID when making a phone call.
User Name:	Provided by ISP for registration.
Register Name:	Authenticated ID for authentication, provided by ISP.
Password:	Provided by ISP for registration.
SIP Server:	Server for registration, provided by ISP.

Please contact your service provider for more account details.

Configuring via Keypad

Network Setting: Press MENU->Settings->Advanced->Network->WAN Port/PC Port/VLAN/Web Type options to enter the network relating configuration page.

Account Setting: Press MENU->Settings->Advanced->Accounts to enter the configuration interface to configure the account settings.

You can refer to the above "Configuring via Web Page" for the parameter details.

The manual is only for reference, please take the object as the standard.

We reserve the right to improve or change the product and the user guide without notice.

You can download the latest user manuals from our website:

<http://www.yealink.com/en/download.asp?BigClassName=IP%20Phone>

Yealink

EASY VoIP



Enterprise IP Phone SIP-T20P



902 48 50 70

info@innovamer.com

Islas Canarias

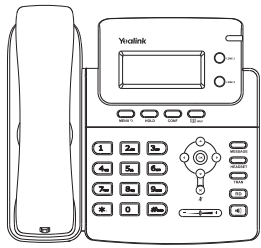
www.innovamercomunicaciones.com

Installation



www.yealink.com

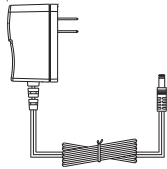
Packing List



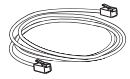
IP Phone



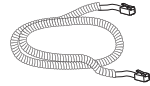
Handset



Power Adapter



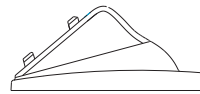
Ethernet Cable



Handset Cord



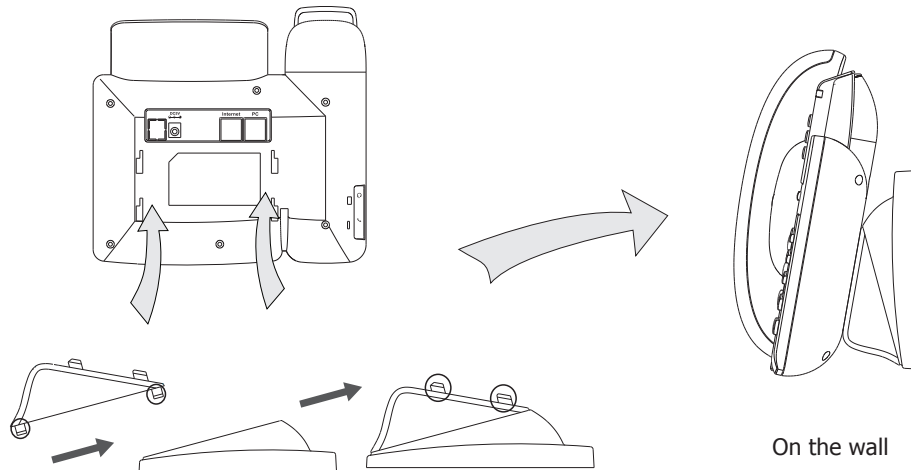
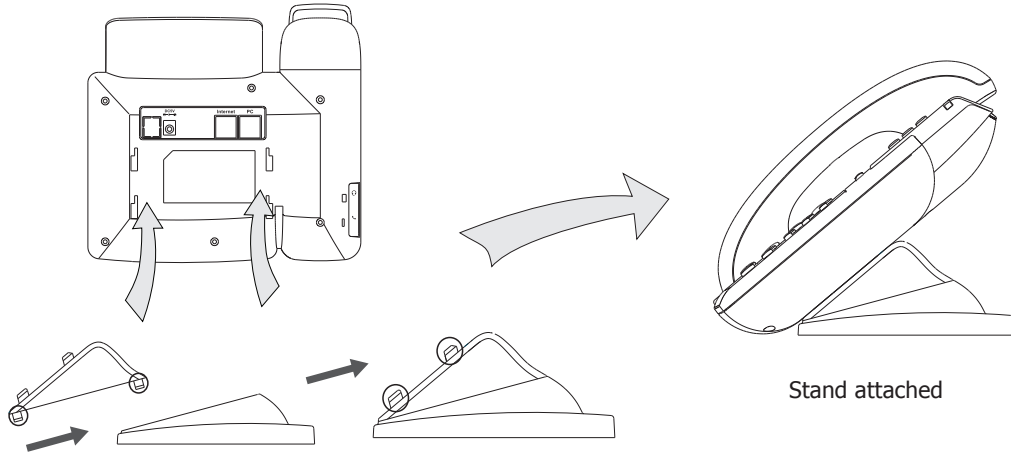
CD Content



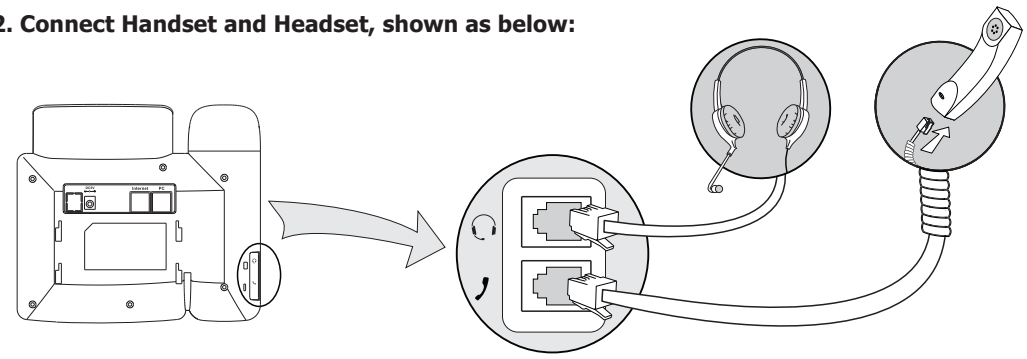
Stand

Assembling the Phone

1. Attach the Stand, shown as below:



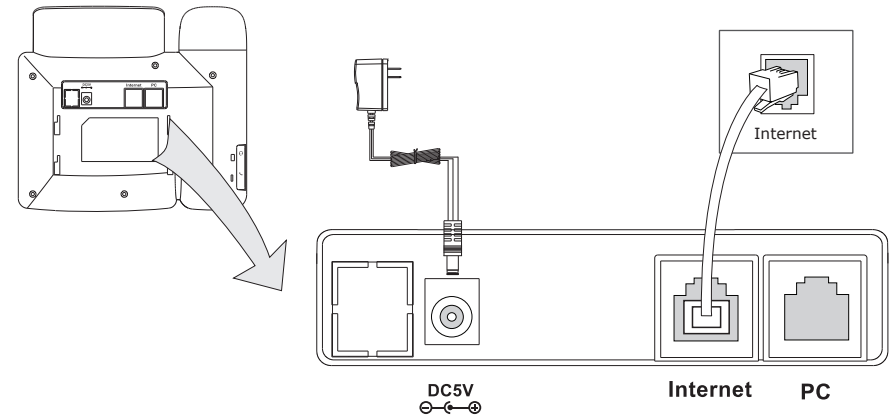
2. Connect Handset and Headset, shown as below:



Note: Headset is not included, should be purchased separately.

3. Connect Network and Power

There are two ways for network and power source connections. You can either connect the phone to the AC Power directly by using the power adapter or to a PoE compliant switch or hub. Your system administrator will advise you on which one to use.



Note: If inline power (PoE) is provided, do not install the AC adapter. Make sure the Ethernet cable and switch/hub are PoE compliant.

The phone can also share the network connection with other network devices such as PC. Connect the phone's PC port and computer's Network Port together using an Ethernet cable, shown as below:

